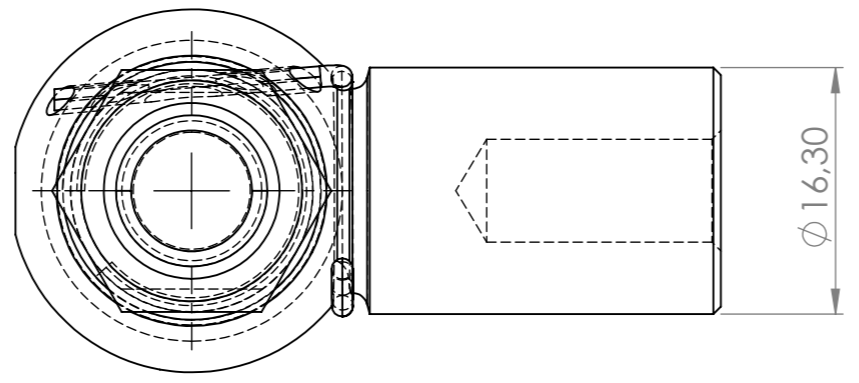
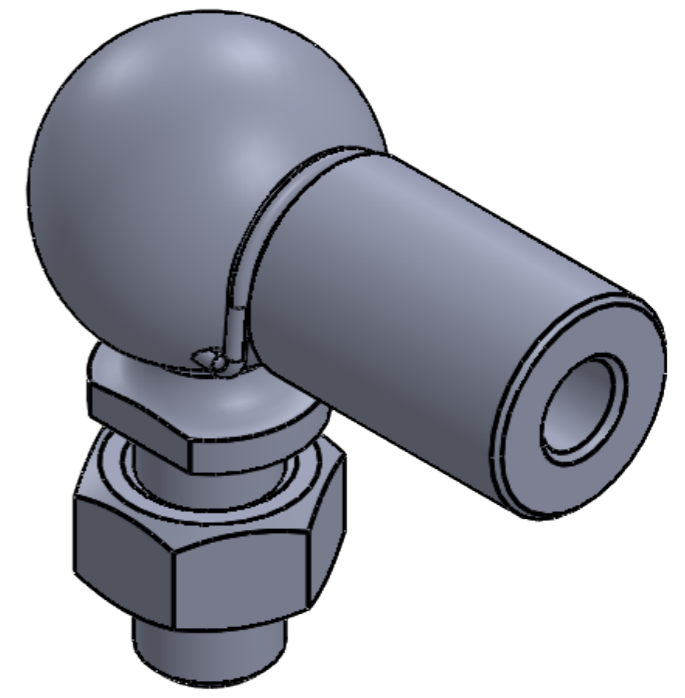
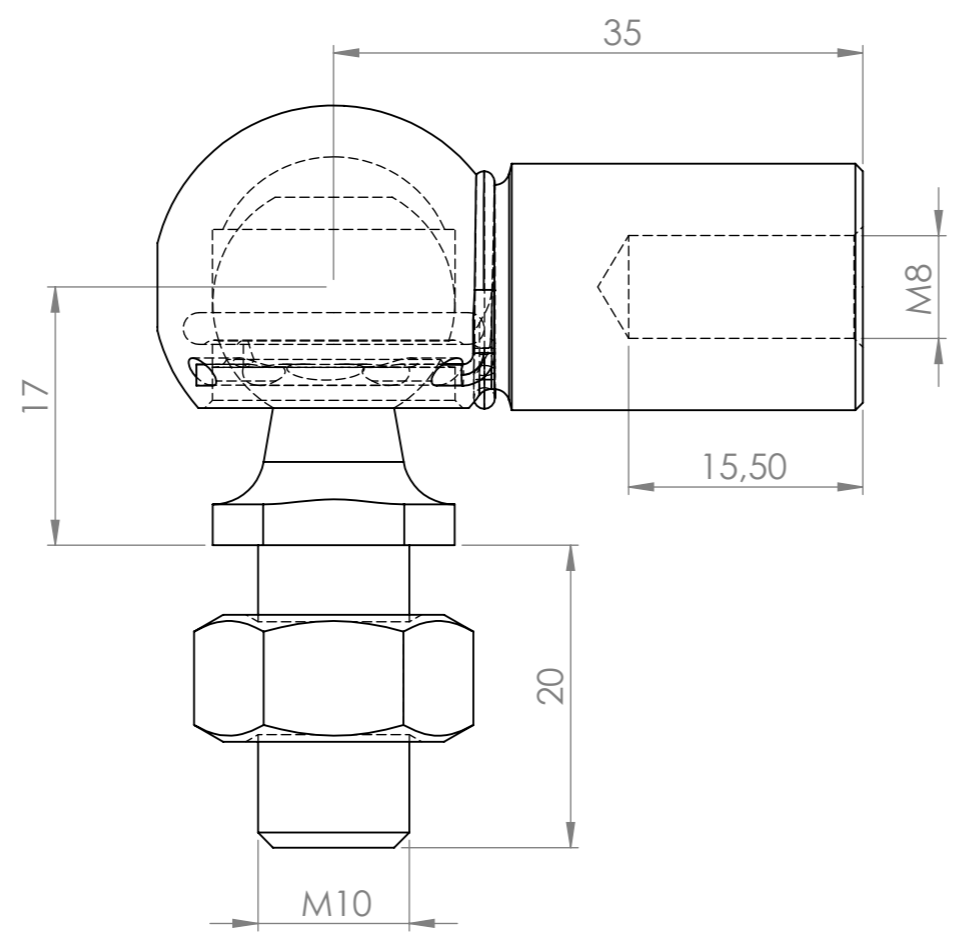
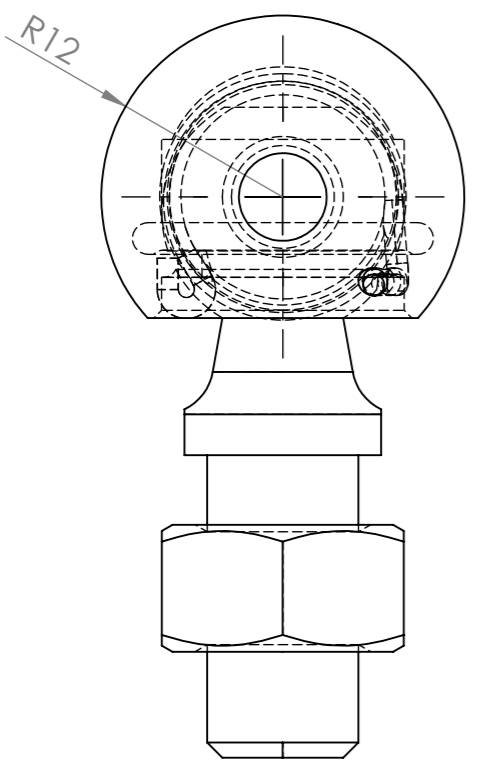


8 7 6 5 4 3 2 1

F
E
D
C
B
A



F
E
D
C
B
A



☎ Netherlands: +31 (0) 541 682186
 ☎ Germany: +49 (0) 322 21090223
 ☎ Poland: +48 (0) 6 8888 1005
 ✉ info@springmasters.nl
 ✉ info@gasfedem.eu
 ✉ info@sprezynygazowe.pl

TITLE: 13.M8L35CS16M10

DO NOT SCALE DRAWING

DWG NO.
SCALE:1:1

REVISION
SHEET 1 OF 1

A3

8 7 6 5 4 3 2 1